

Applicants:  
Application No.:  
For:  
Agent:

Trevor W. Barcelo et al.  
10/716,129  
CONSTANT-CURRENT/CONSTANT VOLTAGE CIRCUIT ARCHITECTURE  
Andrew Van Court, Reg. No. 48,506

# Replacement Sheet

Docket No.: LT-138 Cont. 3  
Filed: November 17, 2003  
EXPRESS MAIL: EV270263199US

Approved  
JW  
7/12/04

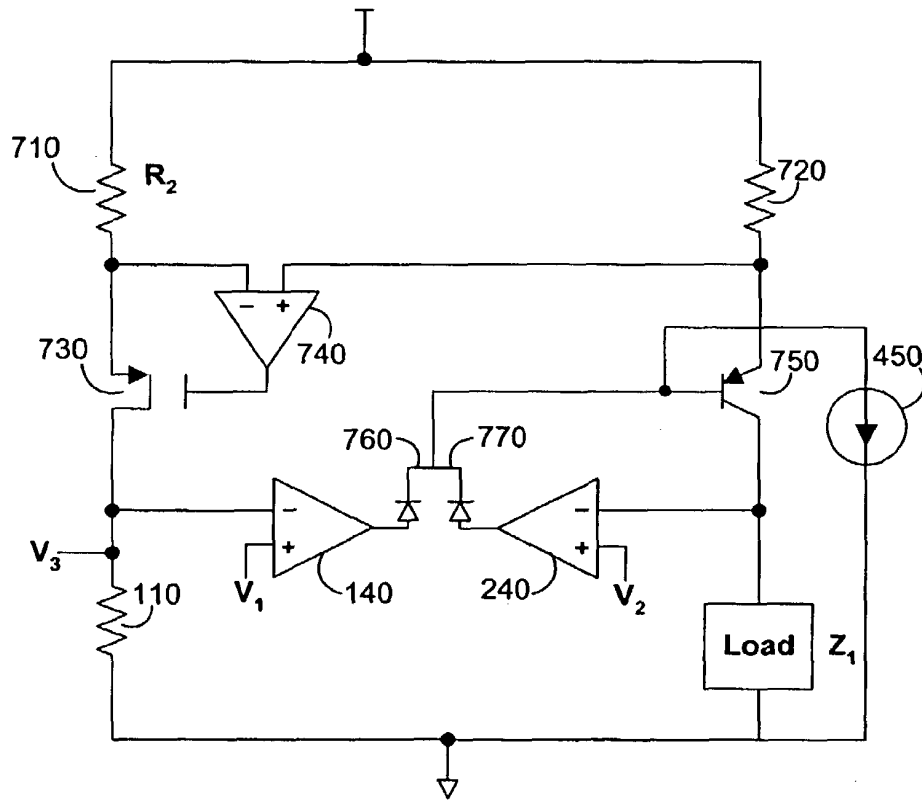


FIG. 7